

SUBMITTAL RECORD
 JOB _____
 LOCATION _____
 SUBMITTED TO _____
 SUBMITTAL PREPARED BY _____
 APPROVED BY _____
 DATE _____



Submittal Form

Kwik-Stud

Threaded Stud & Cable Assembly

DESCRIPTION

The Kwik-Stud is a heavy duty threaded stud with one end of an aircraft rated cable attached. Kwik-Stud is used to suspend duct work from a concrete structure. The stud is threaded into the expansion anchor without putting stress on the cable. This makes for a much safer and tighter connection. The raw end of the cable, in conjunction with the cable lock, is used to attach the object being supported.



SUGGESTED SPECIFICATION:

All ductwork and equipment shall be supported using wire rope cable terminated by Cable Locks. All Cable Locks shall have an Ultimate Breaking Strength (U.B.S.) of at least 5 times the published Working Load Limit (W.L.L.). Wire ropes shall be sized and spaced per manufacturers printed specifications. Wire Rope and Cable Locks shall be as supplied by Rize Enterprises.

Ordering Information				
Item #	Code	Description	Use with Cable Lock	Safe Working Load*
30248	KSA1405RWC3	1/4in Swaged Bolt X 5ft-RWC3 Cable Assembly	KL100	25-150 lbs. (12-68 kg)
30249	KSA1410RWC3	1/4in Swaged Bolt X 10ft-RWC3 Cable Assembly	KL100	25-150 lbs. (12-68 kg)
30250	KSA1415RWC3	1/4in Swaged Bolt X 15ft-RWC3 Cable Assembly	KL100	25-150 lbs. (12-68 kg)
30251	KSA1425RWC3	1/4in Swaged Bolt X 25ft-RWC3 Cable Assembly	KL100	25-150 lbs. (12-68 kg)
30252	KSA3805RWC4	3/8in Swaged Bolt X 5ft-RWC4 Cable Assembly	KL150	25-225 lbs. (12-102 kg)
30253	KSA3810RWC4	3/8in Swaged Bolt X 10ft-RWC4 Cable Assembly	KL150	25-225 lbs. (12-102 kg)
30254	KSA3815RWC4	3/8in Swaged Bolt X 15ft-RWC4 Cable Assembly	KL150	25-225 lbs. (12-102 kg)
30255	KSA3825RWC4	3/8in Swaged Bolt X 25ft-RWC4 Cable Assembly	KL150	25-225 lbs. (12-102 kg)

1/4" & 3/8" drop ins sold separately.
 Kwik-Loc not included.
 *Safe Working Loads are based on a 5:1 Safety Factor

SPECIFICATION DATA

- 1) All wire rope supplied by Duro Dyne is statistically tested to minimum breaking strength.
- 2) Dyna-Tite Suspension System has been submitted and tested to be an acceptable alternative to the duct hanger systems prescribed in SMACNA HVAC-DCS 2nd edition By SMACNA Testing & Research Institute.
- 3) All Working Load Ratings of Dyna-Tite Cable Locks manufactured by Duro Dyne have been witnessed and verified by Independent Testing Labs.
- 4) Dyna-Tite Cable Locks may be used in temperatures up to 300 degrees F.
- 5) Dyna-Tite Cable Lock wedges are constructed of corrosion resistant sintered steel.
- 6) Dyna-Tite Cable Lock springs are constructed of tempered stainless steel.

WIRE ROPE SPECIFICATION CARBON STEEL & GALVANIZED

Galvanized steel wire rope, supplied by Duro Dyne is manufactured to exacting standards and statistically tested to verify the breaking strength. Duro Dyne recommends only using wire rope supplied by Duro Dyne. The chart below outlines the specifications.

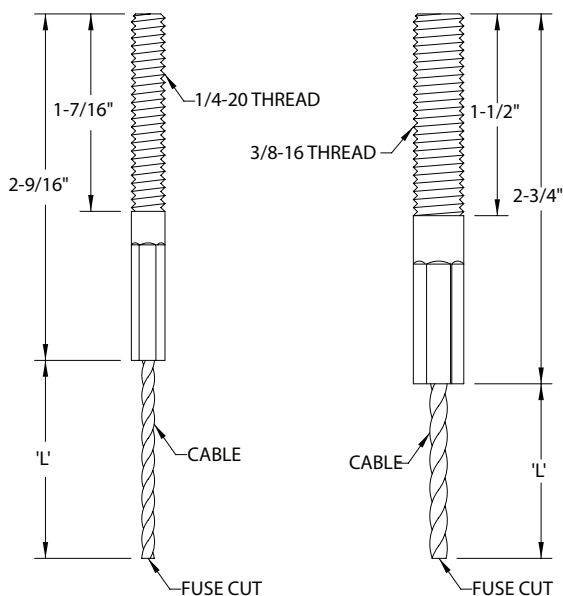
Wire Rope Size	Tolerance	Rope Construction
WC4-CL18	+ .014/- .007 in	7x7
WC3-CL12	+ .012/- .006 in	7x7

APPLICABLE SMACNA STANDARD

4.2.11 Hanging System Selection

The selection of a hanging system should not be taken lightly not only because it involves a significant portion of the erection labor, but also because an inadequate hanging system can be disastrous. In any multiple hanging system, the failure of one hanger transfers that load to adjacent hangers. If one of these fail, an even greater load is transferred to the next. The result is a cascading failure in which an entire run of duct might fail.

There are many hanger alternatives, especially in the upper attachments. Besides structural adequacy, the contractor's choice of hanging system must also take into account the particulars of the building structure, the skills of the workmen, the availability of tooling, and the recommendations of the fastener manufacturer. Because of these variables, it is suggested that the hanging system be the contractor's choice, subject to the approval of the mechanical engineer.



SUBMITTAL RECORD

JOB _____
LOCATION _____
SUBMITTED TO _____
SUBMITTAL PREPARED BY _____
APPROVED BY _____
DATE _____



Submittal Form
Kwik-Stud

WARNINGS

- ALWAYS CONFIRM ENGAGEMENT OF CABLE LOCK ON WIRE BEFORE APPLYING THE LOAD:** By pushing the adjustment pin in the opposite direction of the arrows on the cable lock and then pulling the cable also in the opposite direction of the arrows on the cable lock.
- PULL ADJUSTMENT PIN BACK AND PASS WIRE ROPE THROUGH RIZE CABLE LOCK:** Failure to pull adjustment pin first may cause damage to serrated teeth and reduce holding capacity.
- TO ENSURE HANGING SYSTEM INTEGRITY AND SAFETY:** Use only Rize wire rope.
- WORKING LOAD LIMIT (WLL) MUST FALL WITHIN THE STATED WORKING LOAD RANGE OF THE CABLE LOCK:** Each product is load rated and incorporates a minimum safety factor of 5:1. This WLL takes into account the specification criteria of the Rize Cable Lock and the wire rope.
- DO NOT USE ON COATED WIRE ROPE:** It is important to maintain the metal to metal contact between the locking pawls in the Kwik-Loc and the wire rope.
- SPRAY PAINTING:** of the Rize Suspension Hanging System **after** installation is acceptable, at the installing contractor's discretion, **if** the installing contractor physically confirms engagement of each cable lock on the cable prior to and after painting, and in strict accordance with the Rize Installation Instructions. Brush painting is not acceptable. Do not paint Cable or Cable Lock prior to installation. Do not reposition Cable Lock after painting.
- DO NOT APPLY LUBRICANT:** to any part of the assembly as this will alter the surface nature of the wire rope and attract dirt and debris.
- DO NOT USE FOR LIFTING:** (Under Hook slings) This product is designed for static load applications only.
- KEEP THE PRODUCT CLEAN AND FREE FROM DIRT:** Any dirt should be removed from the product prior to assembly.
- INSPECT PERIODICALLY:** Upon inspection, discard and replace if worn, distorted, or damaged.
- REMOVE DAMAGED WIRE ENDS:** Using a designated pair of wire rope cutters prior to inserting into the Rize Kwik-Loc.
- WHEN INSTALLING RIZE KWIK-LOC CABLE ATTACHMENTS:** to buildings or equipment careful consideration must be made to the attachment method and the material being attached to. It is the responsibility of the installer for the proper selection, installation and appropriateness of the attachment to the job specifications and any codes. Rize can give general guidance, but any questions regarding this should ultimately be directed to the project engineer of the job.
- FOR DRY LOCATIONS ONLY**
- DO NOT USE IN CHLORINATED ATMOSPHERES SUCH AS POOLS AND NATATORIUM**
- GYMNASIUM INSTALLS MUST BE USING LOCKING CABLE LOCKS ONLY**

Please see our Rize testing and warnings webpage for the most detailed list of warnings:
<http://rizellc.com/techsupport-testing.html>